

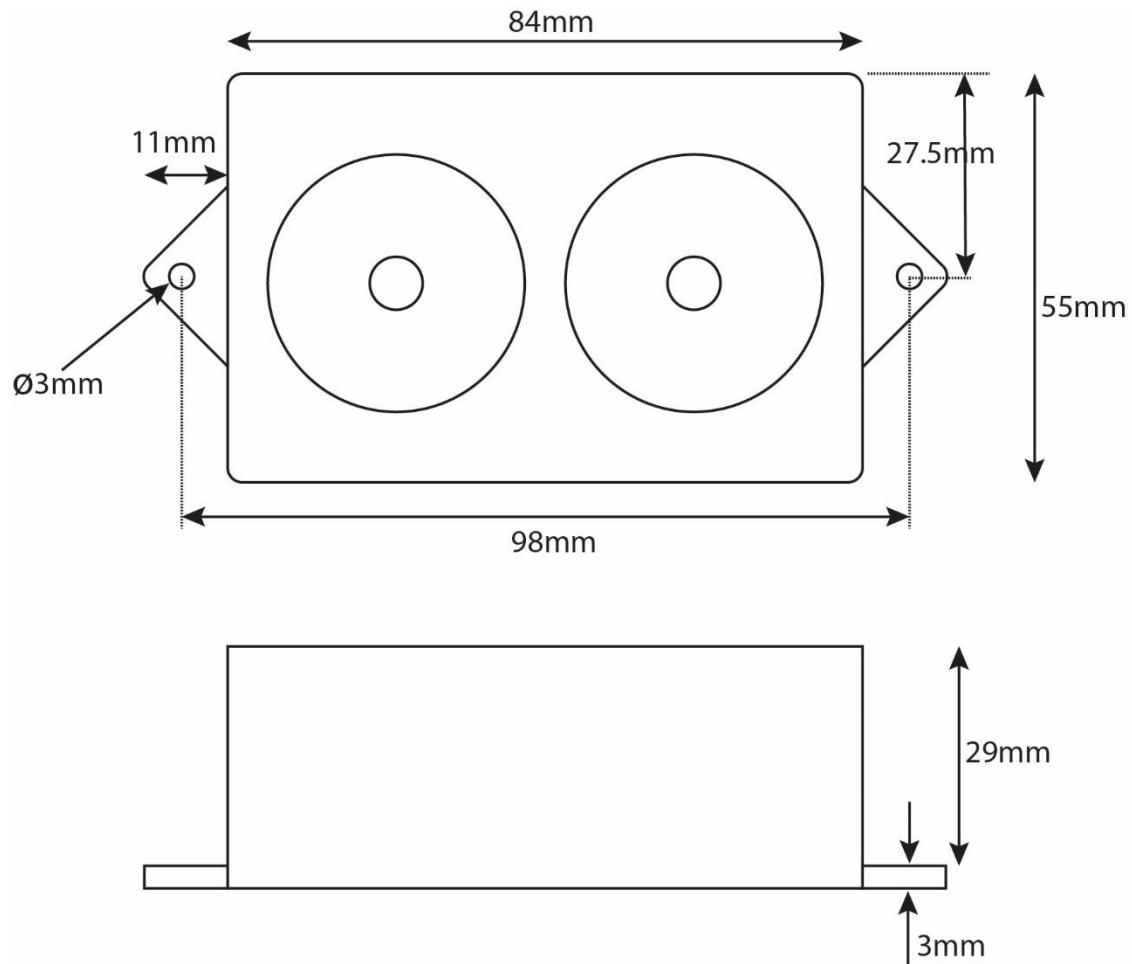
CQR SOSB1

This device is connected via 2 wires.

The wires are coloured RED for + and BLACK for -. Please observe polarity.

Connect 12Vdc to operate sounder.

The mounting holes and dimensions are shown below.



CQR SOSB2

This device is connected and powered via 2 screw terminals at the rear of the device.

The terminals are labelled + for 12Vdc| and – for 0v. Connect 12Vdc.to operate sounder. Please observe polarity. Cut the selected tone links if required.

The mounting holes and dimensions are shown below.

